

PLIANT

YR Series

LED Parking Lot Luminaire 100W

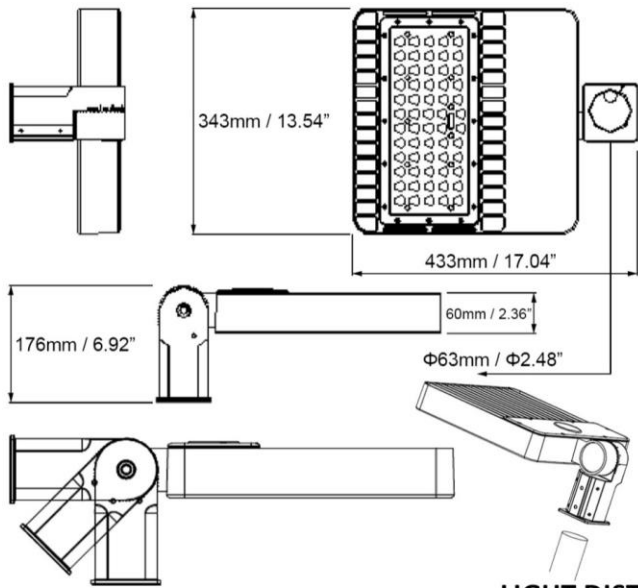
Model Number: PL-YR-PAL-100

Features:

- Compact & Robust Design & Lightweight
- Suitable for Parking Lot Lighting
- Excellent Heat Dissipation
- Extruded Aluminum Alloy Heat Sink
- Adjustable -90° ~ 90° Slip Fitter Angle
- Non-Corrosive & Shatter-Resistant
- Replacement for Traditional 300W-400W
- Beam Angle: Type II, III, V
- Universal Voltage (85~305V)
- 5-Year Limited Warranty



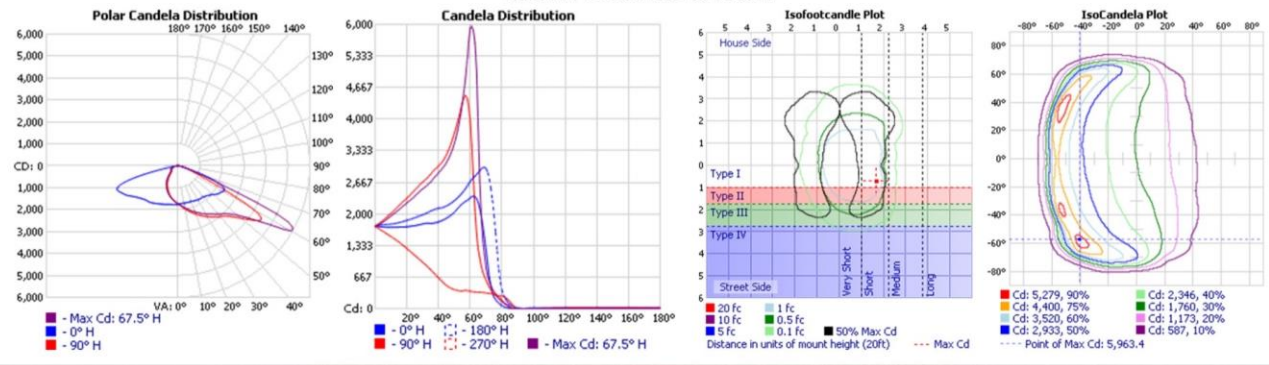
DIMENSIONAL DRAWING



SPECIFICATION

Power Consumption	100 W
Total Luminous Flux	10000 lm
Luminous Efficacy	100 lm/W
Input Voltage	85 ~ 305 VAC
Power Factor	> 0.9 PF
Beam Angle	Type II, Type III, Type V
Ingress Protection Code	IP65
Average Lifespan Hours	50,000 hrs
Correlated Color Temperature	3000 K / 4000 K / 5000 K
Color Rendering Index	≥75 Ra
Certification	ETL, LightingFacts, DLC, FCC
Dimming	0 - 10 V Dimming (Optional)
Housing	Aluminum Alloy
Lens	Polycarbonate
Operating Temperature	-35 ~ +55 °C / -31 ~ +131 °F
Dimension	343 x 432 x 176 mm / 13.5" x 17" x 7"
Weight	6.8 Kg / 15 lb

LIGHT DISTRIBUTION





PL-YHM LED High-Mast

Model Number: PL-YHM-300, PL-YHM-450, PL-YHM-600, PL-YHM-900

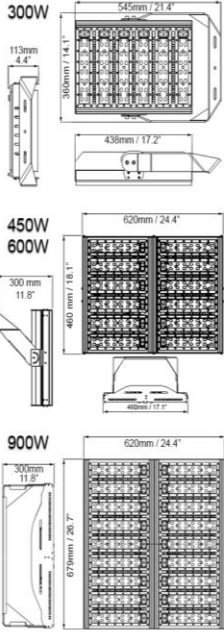
- Features:**
- cULus, LightingFacts, DLC, FCC, CE, SAA
 - Precision Optics Deliver Maximum Downward Lumens w/ Uniformity & Minimal Glare
 - Up to 115 lumens per watt & 33,000-100,000 Delivered Lumens
 - Modular LED Chip Design to Provide Long System Life
 - IP65 Rated: Protected against moisture, dust, and other environmental contaminants
 - Slim, Low-profile Designed to minimize wind load
 - 100-277VAC Universal Voltage
 - 5-Year Limited Warranty



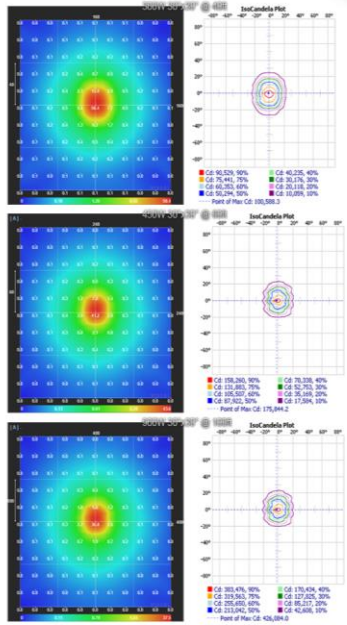
SPECIFICATION

	300 W	450 W	600 W	900 W
Power Consumption	300 W	450 W	600 W	900 W
Total Luminous Flux	33,500 lm	52,000 lm	67,000 lm	100,000 lm
Luminous Efficacy	112 lm/W	115 lm/W	112 lm/W	112 lm/W
Weight	7.6 kg / 16.7 lb	16.5 kg / 36.3 lb	16.5 kg / 36.3 lb	24.5 kg / 54.1 lb
Dimension	438 x 360 x 113 mm 17.2" x 14.1" x 4.4"	620 x 460 x 113 mm 24.4" x 18.1" x 4.4"	620 x 460 x 113 mm 24.4" x 18.1" x 4.4"	620 x 680 x 113 mm 24.4" x 26.7" x 4.4"
Input Voltage	Default: 100 ~ 277 VAC			
Output Voltage	36 ~ 48 V			
Power Factor	>0.95 PF			
Total Harmonic Distortion	≤15%			
Dimming	Default: Non-Dimmable / Optional: 0 - 10 V Dimming			
Beam Angle	30°x30°, 60°x90°			
Color Temperature	Default: 4500 K / Optional: 5000K			
Mounting	Default: Universal Bracket / Optional: Slip Fitter, Surface Mount			
Ingress Protection Code	IP65			
Average Lifespan Hours	≥ 50,000 hrs @L70			
Color Rendering Index	≥77 Ra			
Housing Color	Default: Grey / Optional: Black			
Storage Temperature	-50 ~ +70 °C / -58 ~ +158 °F			
Operating Temperature	-40 ~ +60 °C / -22 ~ +140 °F			
Luminaire Material	Aluminum Extrusion			
Green Technology	Mercury-free, UV-free, RoHS Compliant			
IESNA LM-79 & LM-80	Tested by an independent laboratory in accordance with IESNA LM-79 and LM-80			
Certification	cETLus, LightingFacts, DLC, CE, FCC			
DLC Category	Outdoor Luminaires Very High Output Outdoor Pole/Arm-Mounted Area and Roadway Luminaires			
Warranty	5-year Limited Warranty			

DIMENSIONAL DRAWING



LIGHT DISTRIBUTION



APPLICATION





DIAMANT

LED Post Top Luminaire

Model Number: PL-RPTL-50, PL-RPTL-75, PL-RPTL-10, PL-RPTL-170

Features:

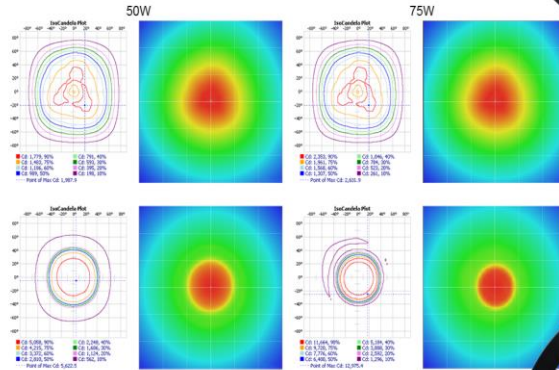
- cULus, LightingFacts, DLC, FCC
- Resistant to Shock and Vibration / Shatter-resistant Borosilicate Lens
- Superior Thermal Management Design w/ Air Flow Technology Provides Maximum Operational Life
- Rugged Construction Ensures Long-life & Safe Operation
- Lifespan of $\geq 60,000$ hours @ L70 / Optional Daylight Sensor
- IP65 Rated: Protected against moisture and environmental contaminants
- 100 - 277 VAC Universal Voltage / Standard 4kV Surge Protection
- 5-Year Limited Warranty



SPECIFICATION

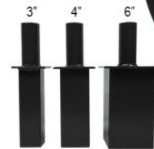
Power Consumption	50 W	75 W	100 W	170 W
Total Luminous Flux	5800 lm	8000 lm	10000 lm	17500 lm
Luminous Efficacy	115 lm/W	106 lm/W	100 lm/W	103 lm/W
Weight	4.5 kg / 9.92 lb	5 kg / 11 lb	6.2 kg / 13.6 lb	7 kg / 6.81 lb
Dimension	Lightsource: $\Phi 450 \times 120$ mm / $17.71" \times 4.72"$ Total Luminaire Height: 650 mm / 25.59"			
Color Rendering Index	≥ 80			
Beam Angle	120°			
Color Temperature	Default: 5000 K / Optional: 4000 K, 3000 K			
Lens	Shatter-resistant Borosilicate Glass			
Mounting	Pole Mount			
Input Voltage	100 ~ 277 VAC			
Ingress Protection Code	IP65			
Average Lifespan Hours	$\geq 60,000$ hrs @ L70			
Housing Color	Default: Black / Optional: Light Grey			
Lighting Control	Optional Daylight Sensor			
Storage Temperature	$-40 \sim +80^\circ\text{C}$ / $-40 \sim +176^\circ\text{F}$			
Operating Temperature	$-40 \sim +70^\circ\text{C}$ / $-22 \sim +158^\circ\text{F}$			
Material	Aluminum Die Cast, Borosilicate Glass			
Green Technology	Mercury-free, UV-free, RoHS Compliant			
IESNA LM-79 & LM-80	Tested by an independent laboratory in accordance with IESNA LM-79 and LM-80			
Certification	cULus, LightingFacts, DLC, FCC, CE			
DLC Category	Outdoor Pole/Arm-Mounted Area and Roadway Luminaires			
Warranty	5-year Limited Warranty			

LIGHT DISTRIBUTION



DIMENSIONAL DRAWING

to be updated



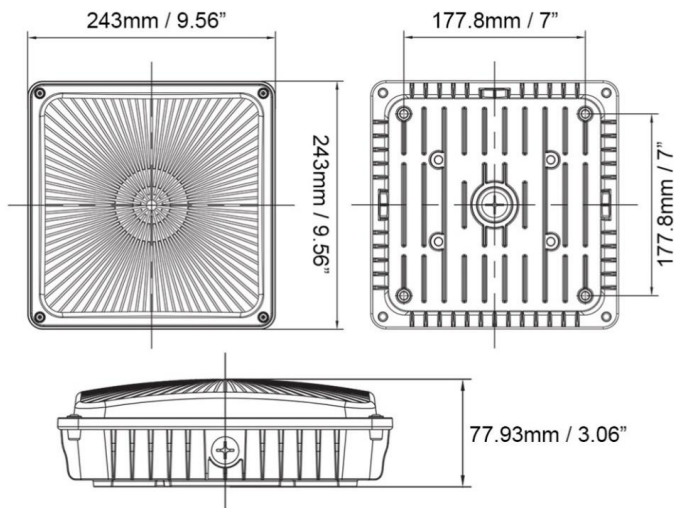
PLIANT

LED Parking Garage Canopy Luminaire 45W

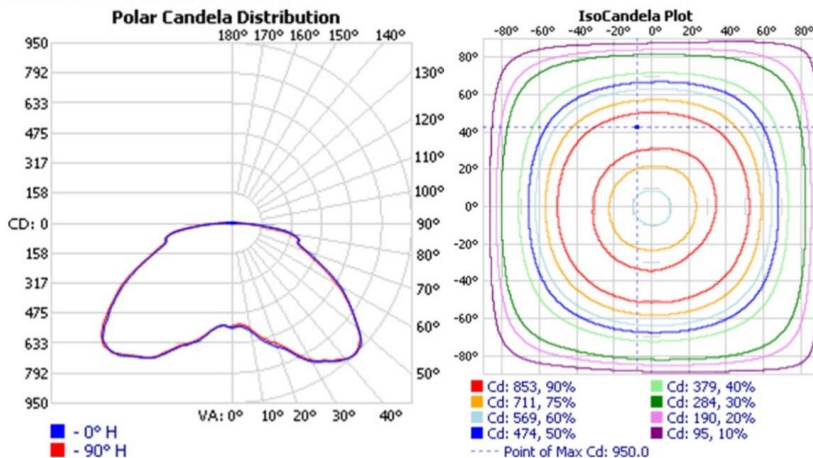
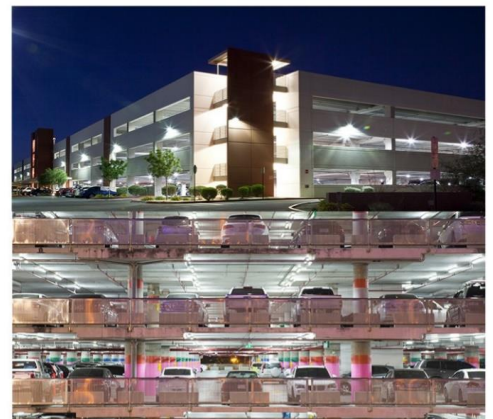
Model Number: PL-MT-PCP-45

Features:

- cULus, LightingFacts, DLC, FCC
- Slim, Low-Profile Design & Lightweight
- DLC Category: Parking Garage Luminaire
- Suitable for both Indoor & Outdoor Application
- UL Recognized Polycarbonate Optical Lens
- Universal Voltage: 120~277V (Optional 347~480V)
- IP65 Rated: Protected against moisture and environmental contaminants
- 5-Year Limited Warranty


DIMENSIONAL DRAWING

SPECIFICATION

Power Consumption	45 W
Total Luminous Flux	4100 lm
Luminous Efficacy	87 lm/W
Input Voltage	120 ~ 277 VAC
Input Frequency	50 ~ 60 Hz
Power Factor	> 0.9 PF
Beam Angle	150 °
Operating Temperature	-30 ~ 40 °C / -22 ~ 104 °F
Average Lifespan Hours	50,000 hrs
Correlated Color Temperature	3000 K / 4000 K / 5000 K
Color Rendering Index	≥75 Ra
Installation Type	Suspended / Surface
Certification	UL, DLC, FCC
Dimension	243 x 243 x 77.93 mm / 9.56" x 9.56" x 3.06"
Weight	2.5 kg / 5.51 lb

LIGHT DISTRIBUTION

APPLICATION




PLIANT MT Series

LED Wall Mount Security Luminaire

Model Number: PL-MT-WM-17 PL-MT-WM-25

Features:

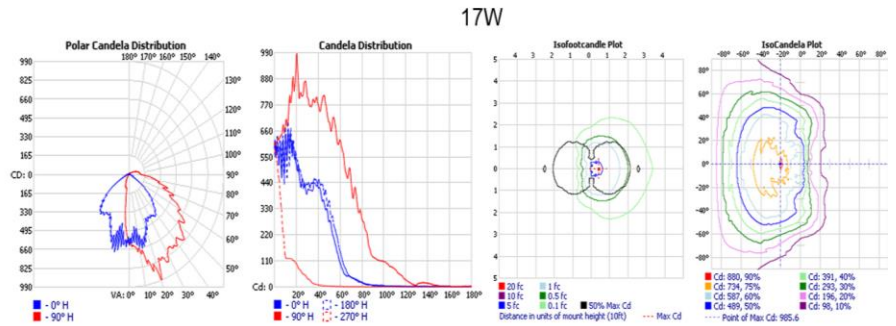
- cULus, LightingFacts, DLC, FCC
- Reimagines Wall Lighting with Distinctive Aesthetics
- Die-cast Aluminum Housing & Polycarbonate Optic Lenses
- 120V Photocell Included (Optional 277V Photocell)
- IP65 Rated: Protected against moisture and environmental contaminants
- Slim, Low-Profile Design & Lightweight
- Available in Black & White Housing
- Universal Input Voltage of 100~277VAC
- 5-Year Limited Warranty



SPECIFICATION

Power Consumption	17W	25W
Total Luminous Flux	1700 lm	2200 lm
Luminous Efficacy	100 lm/W	88 lm/W
Input Voltage	100 ~ 277 VAC	
Beam Angle	90x70°	
Operating Temperature	-25 ~ 45° Celsius / -13 ~ 113° Fahrenheit	
Average Lifespan Hours	50,000 hrs	
Correlated Color Temperature	3000 K, 4000 K, 5000 K	
Color Rendering Index	≥83 Ra	
Ingress Protection Code	IP65	
Integral Control	120V Photocell Built-in (Optional 277V Photocell)	
Luminaire Color	Black, White	
Installation type	Wall Mountable	
Certification type	cULus, LightingFacts, DLC, FCC	
DLC Category	Outdoor Non-Cutoff and Semi-Cutoff Wall-mounted Area Luminaires	
Dimension	212.94 x 139.3 x 89.5 mm / 8.38" x 5.48" x 3.52"	
Weight	1.5 kg / 3.3 lb	

LIGHT DISTRIBUTION



DIMENSIONAL DRAWING



APPLICATION

